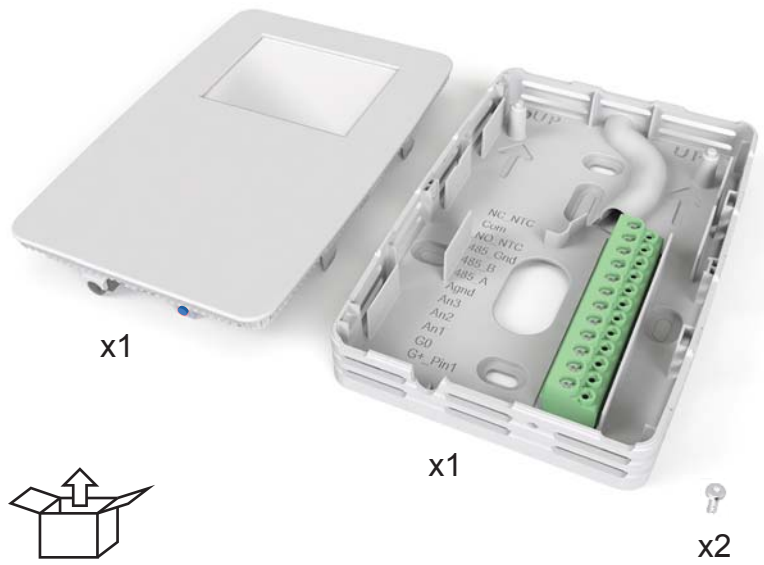


Installation manual *tSENSE VAV Disp*

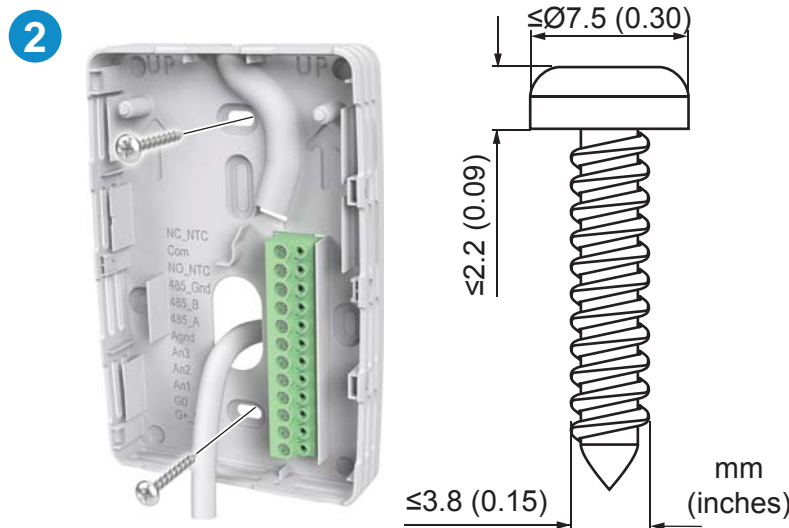
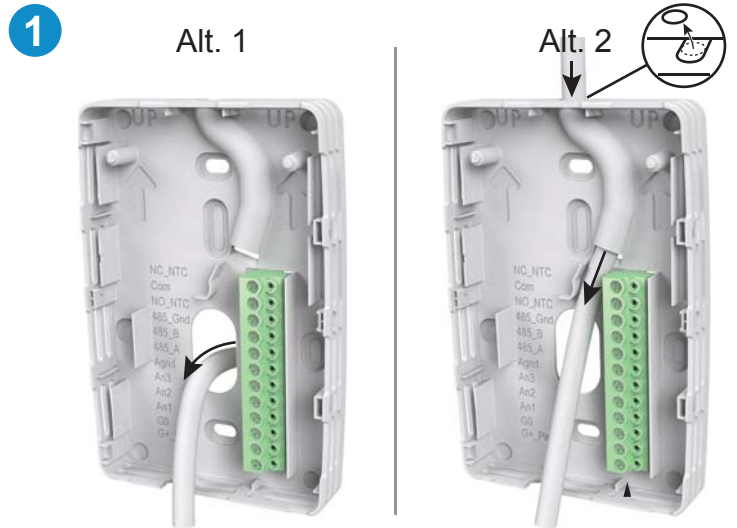
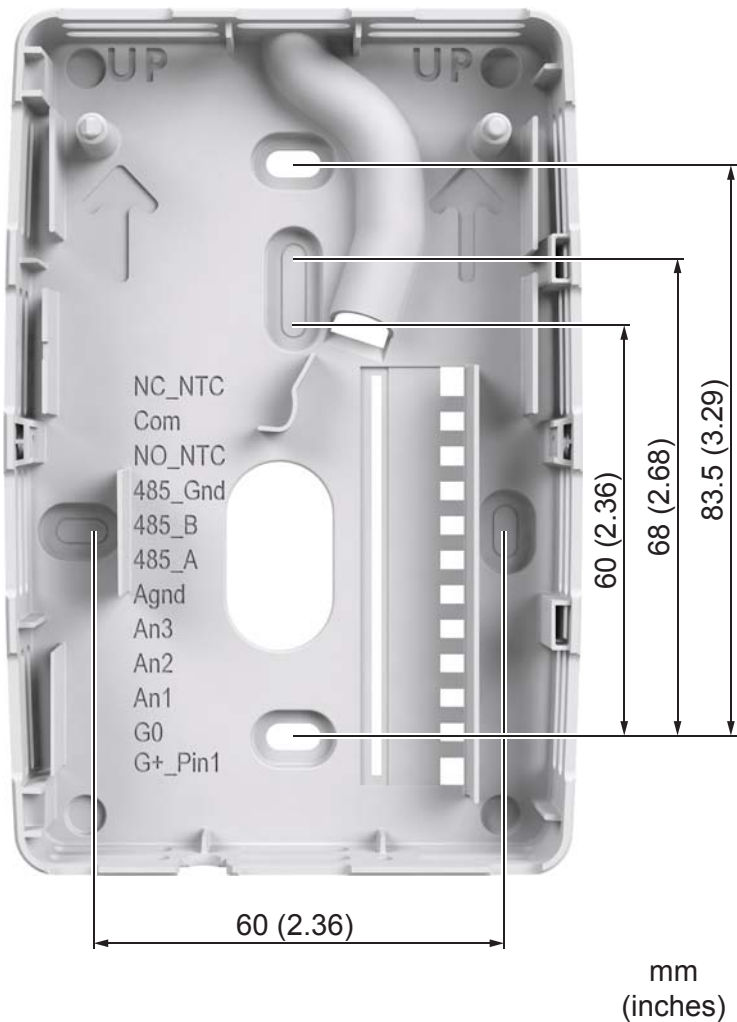
CO₂-, temperature- and
relative humidity transmitter



NOTE:
The same ground reference has to be used for the *tSENSE VAV Disp* unit and for the control system!



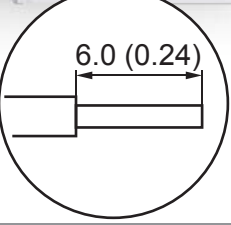
IMA302
Edition 4



3

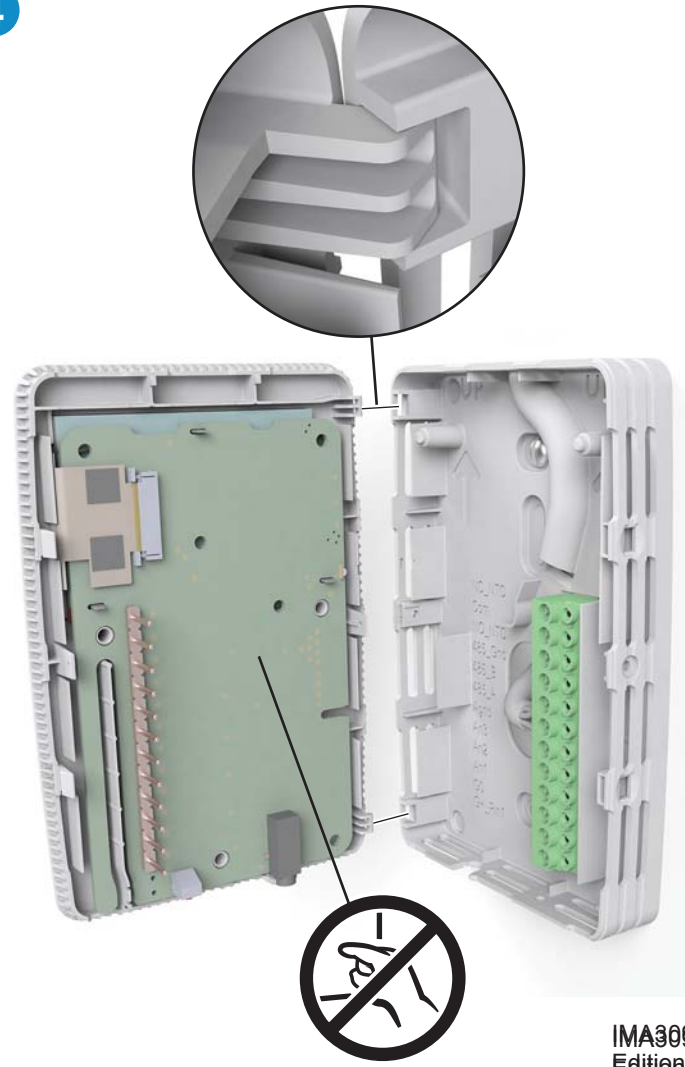


RL/NC_NTC (Temp)
 RL/Com
 RL/NO_NTC (Temp)
 RS485_Gnd/MB/BAC
 RS485_B (-)/MB/BAC
 RS485_A (+)/MB/BAC



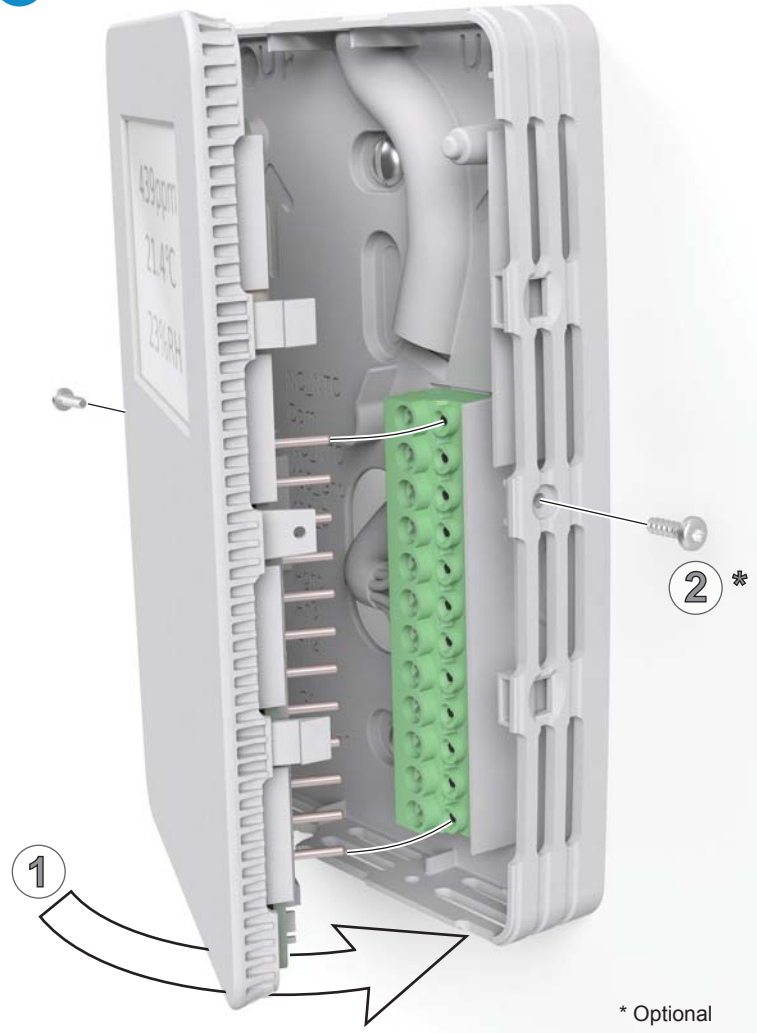
mm
(inches)

4



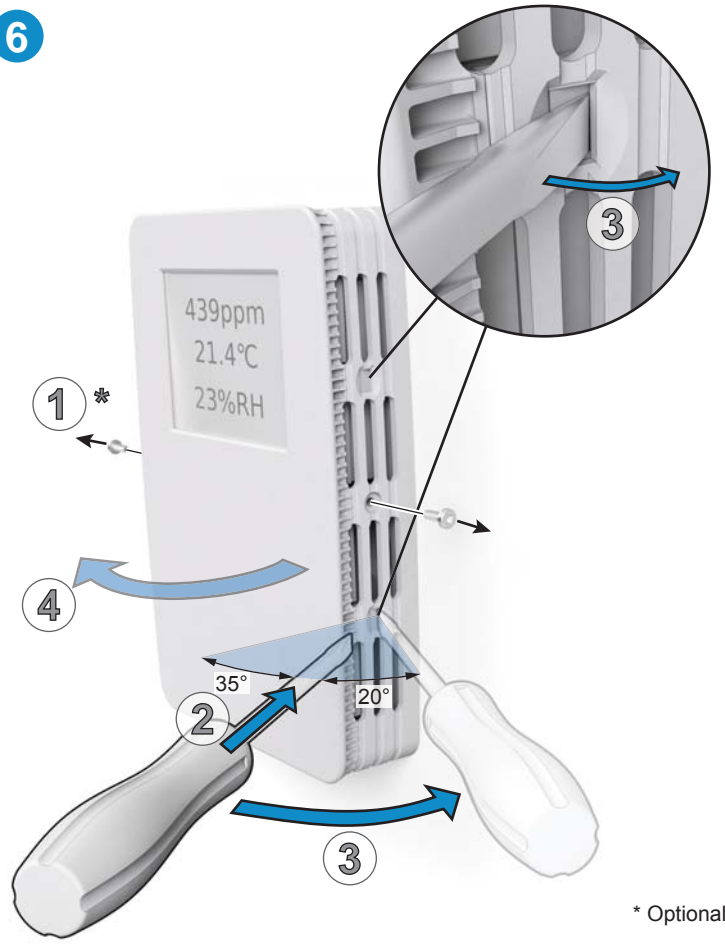
IMA309
Edition 2

5



* Optional

6



* Optional

SenseAir AB (headquarter)
 Stationsgatan 12, Box 96, 820 60 Delsbo, Sweden
 Phone: +46-(0)653 – 71 77 70
senseair.com