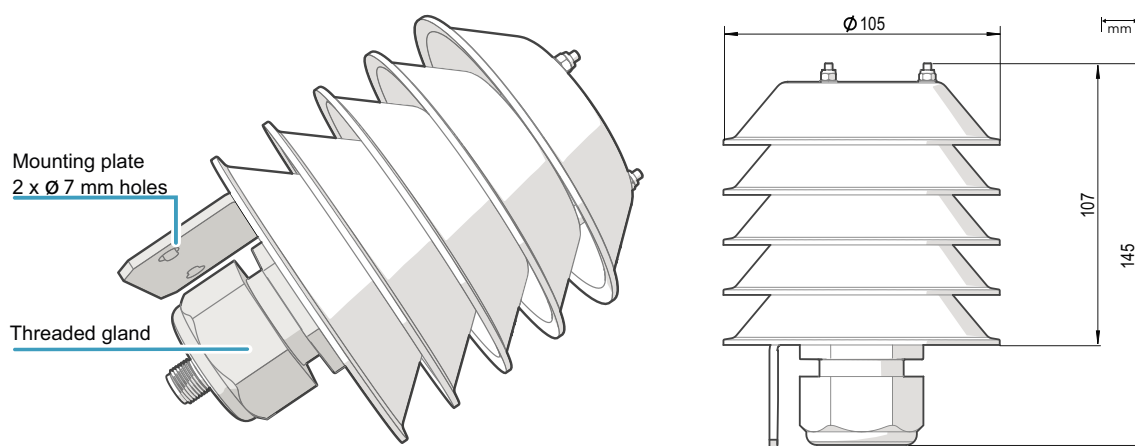


Quick Guide

DTR250 Radiation Shield GMP252 Accessory



Installing DTR250 Radiation Shield

The optional DTR250 radiation shield (Vaisala order code: DTR250) for Vaisala CARBOCAP® Carbon Dioxide Probe GMP252 protects the probe from solar radiation and precipitation in outdoor installations. To install the probe with the radiation shield:

- ▶ 1. Screw open the threaded gland of the radiation shield.
2. Insert the probe into the shield until it meets the top of the shield (only the connector of the probe remains visible) and screw the gland shut.
3. Mount the probe and shield with 2 screws (Ø 7 mm) so that the connector of the probe points directly downwards.



The threaded gland does not need to be detached when inserting the probe, only loosened by a couple of turns.

Table 1 Specifications

Property	Specification
Radiation shield material	Radiation-resistant polycarbonate (PC)
Weight	<ul style="list-style-type: none"> • Radiation shield: 286 g • Radiation shield + GMP252 probe: 344 g
Chemical tolerance (cleaning)	<ul style="list-style-type: none"> • Alcohol-based cleaning agents (for example, ethanol and IPA) • For other cleaning chemicals, verify compatibility with polycarbonate before use

