

# Product specification

## Senseair Workplace Alcohol Screening



### 1. General

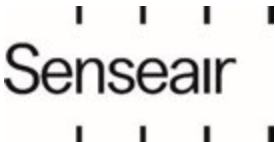
The purpose of Senseair Workplace is to determine breath alcohol concentration in human exhalation. Senseair Workplace is designed to be used on site at the workplace as screening instrument for sober check-in to reduce risks due to work under the influence of alcohol.

Senseair Workplace is designed for indoor alcohol screening. Areas of use:

- When accessing vehicle keys. Senseair Workplace can be integrated with advanced key cabinet solutions.
- Entering a control room or high-risk area.
- Connected to an entrance barrier, for control of vehicle drivers entering a site.
- SafeStart prepared, contact Senseair for information on SafeStart

**Table of contents:**

- 1. General ..... 1
- 2. Key technical specification ..... 3
  - 2.1. Specification valid for all Workplace configurations..... 3
  - 2.2. Specification per configuration..... 4
- 3. Dimensions..... 6
  - 3.1. Wall mounted..... 6
  - 3.2. Tabletop mounted..... 7
- 4. Connectors..... 8
- 5. Calibration free ..... 9
- 6. Related parts ..... 9
  - 6.1. Signal cable ..... 9
  - 6.2. Table stand..... 9
  - 6.3. Ethernet cable.....10
  - 6.4. RFID Reader Workplace.....10
  - 6.5. Consumables.....10
- 7. Related documents.....10



## 2. Key technical specification

### 2.1. Specification valid for all Senseair Workplace configurations

Table 1: Key technical specification

Item	Senseair Workplace
Article number	008-15-0011 and 008-15-0013
Measurement unit	BrAC, mg/L <sup>1</sup>
Measurement method	Contactless (mouthpiece-free)
Operating principle	Non-dispersive infrared (NDIR)
Area of use	Indoor usage
Installation	Wall mounted or Tabletop mounted
Operating range	-20–+70 °C, 0–95% RH (non-condensing)
Storage environment	-40–+75 °C, 0–95% RH (non-condensing), indoor
IP rating (handset and accessbox)	IP40
Measurement range, BrAC <sup>2</sup>	0–4 mg/L
Accuracy BrAC	±7.5% of reading or ±0.015 mg/L, whichever is larger <sup>3</sup>
Precision BrAC	5% of reading or 0.015 mg/L, whichever is larger <sup>3</sup>
Pressure dependence	Internally compensated in the range 80 kPa... 110 kPa
Power supply	Input: 100–240 V, 50/60 Hz
Maximum power consumption	120 W
IC Card standard	MIFARE Classic <sup>4</sup>
Dimensions (L x W x H) <sup>5</sup>	Wall mounted: 300 x 111 x 300 [mm] Tabletop mounted: 300 x 170 x 298 [mm]
Weight	3.3 kg
Weight table stand	0.160 kg
Screen display	LCD Color Display 2.4"
Compliance	SAE-J3214 (Compliance measurement performance) CE-mark RoHS Directive 2011/65/EU Reach regulation 1907/2006 Electrical and Electronic equipment Directive (WEEE) 2012/95/EG Prop65 PSE (Power supply, power cord) FCC (Hand unit) <sup>7</sup>

Item	Senseair Workplace
Capacity <sup>6</sup>	6 seconds per test
Service interval	12 months
Consumables	Particle filter

- Note 1: BrAC: Breath Alcohol Concentration (mg/L): This is the primary means of expressing the breath alcohol concentration. The mass concentration of ethanol, expressed in mg/L (milligram of ethanol per litre breath air)
- Note 2: Values above 4.00 mg/L of alcohol is never displayed. The displayed range is BrAC Masking to 4.00 mg/L.
- Note 3: Accuracy and precision are defined according to chapter 7 of SAE J3214.
- Note 4: Not in use for some variants, see section 2.2 Specification per configuration. To fully meet MIFARE Classic, an external RFID reader may be required.
- Note 5: See detailed figures in section Dimensions.
- Note 6: The interval for test and recovery from residual gas (total time for one user). The sensor will go in standby mode after 10 minutes when not in use. When starting a test from standby mode it takes appr.11 seconds before the breath test can be performed.
- Note 7: Valid for Part number 008-15-0013.

## 2.2. Specification per configuration

Senseair Workplace is available in some different configurations, specified with additional part numbers. See below table for the differences in specification.

Table 2: Key technical specification configurations

Part numbers	560-00052, 570-00019	560-00051, 570-00019	560-00050, 570-00019	560-00053, 570-00019	SafeStart Flex <sup>1</sup>
Start test	Input signal, RFID card, button	Input signal, RFID card, button	Input signal, RFID card, button	Input signal	Configurable
BrAC Limit <sup>2</sup>	0.1 mg/L	0.05 mg/L	0.1 mg/L	0.1 mg/L	0.05 or 0.1 mg/L
BrAC Masking <sup>3</sup>	0.05 mg/L	0.05 mg/L	0.02 mg/L	0.02 mg/L	0.02 or 0.05 mg/L
Language	English	Japanese	Swedish	Swedish	English, Japanese or Swedish
Record keeping	No.	No	No	No	Yes, results are sent to the web portal
Relay closing time	1.5 seconds	5 seconds	1.5 seconds	1.5 seconds	Configurable

Part numbers	560-00052, 570-00019	560-00051, 570-00019	560-00050, 570-00019	560-00053, 570-00019	SafeStart Flex <sup>1</sup>
Relay 1 and 2 closed at	Result below BrAC limit	Result below BrAC limit	Result below BrAC limit	Result below BrAC limit	Result below BrAC limit
Relay 3 closed at	Result equal to or above BrAC limit	Result equal to or above BrAC limit	Result equal to or above BrAC limit	Result equal to or above BrAC limit	Result equal to or above BrAC limit
Input 1	Start test	Start test	Start test	Start test	Configurable
First screen	"Press button to start"	ボタンを押す もしくは カードをスキャン してください。	"Tryck på knappen för att starta"	"Inväntar signal"	Configurable
BrAC result on screen	Yes	Yes	No	No	Configurable
Distinct fail	Same sound for passed and failed results	Different sound for passed and failed results	Same sound for passed and failed results	Same sound for passed and failed results	Configurable
Result presentation time	4 seconds	5 seconds	4 seconds	4 seconds	Configurable
Fleet control	No	No	No	No	Yes
Internet connection and web interface	No	No	No	No	Yes
User identification	No	No	No	No	RFID card or tag
Alert possibilities	No	No	No	No	e-mail, text messages and Live View
Green and block time settings	No	No	No	No	Yes, configurable
Integration to other systems	No	No	No	No	Yes

Note 1: With SafeStart the system is set up according to your specific requests. Contact Senseair for configuration.

Note 2: If alcohol is detected less than BrAC Limit, the Passed message will be displayed on the screen. If alcohol is detected above BrAC Limit the Failed message will be displayed on the screen.

Note 3: If no alcohol is detected or less than BrAC Masking BrAC is set to 0.00.

### 3. Dimensions

#### 3.1. Wall mounted

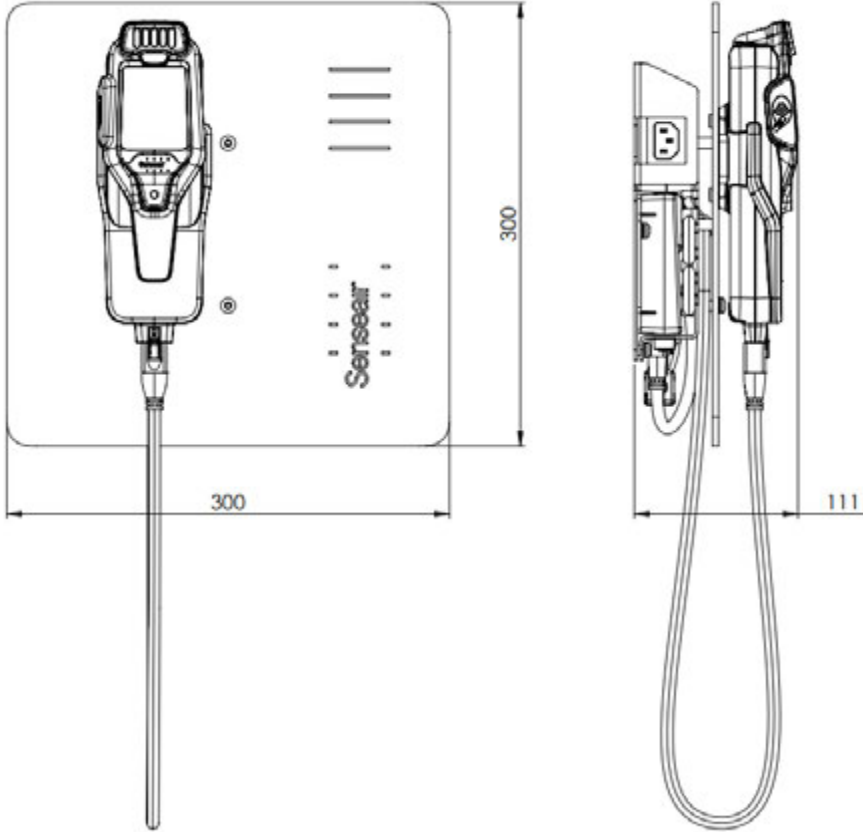


Figure 1: Wall mounted physical dimensions [mm].

### 3.2. Tabletop mounted

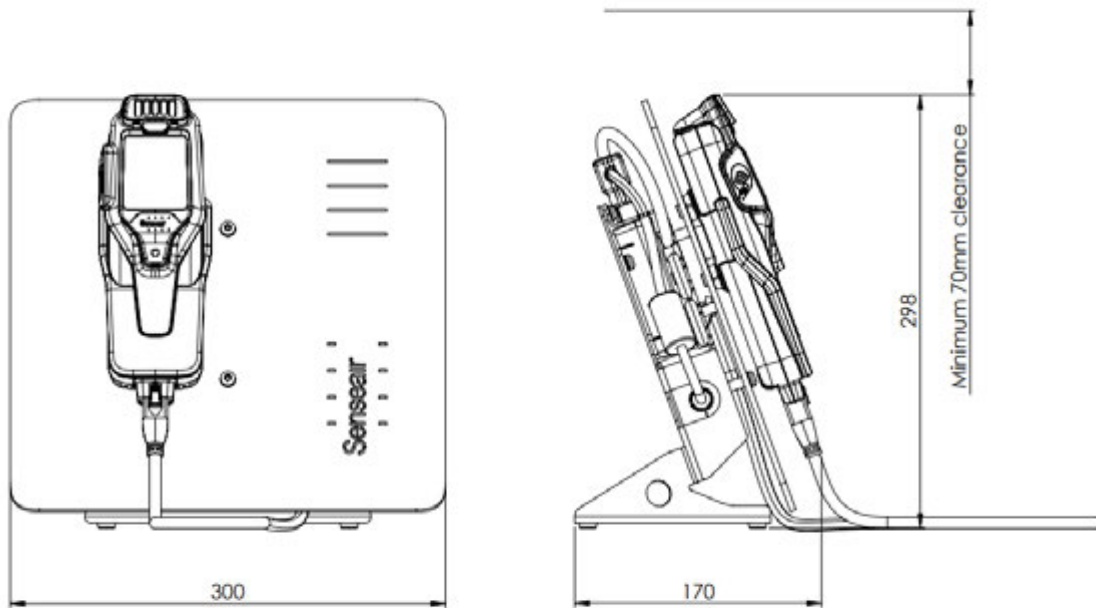


Figure 2: Tabletop mounted physical dimensions [mm].

Note that the table stand is optional and thus not included by default. See Related parts for part number.

## 4. Connectors

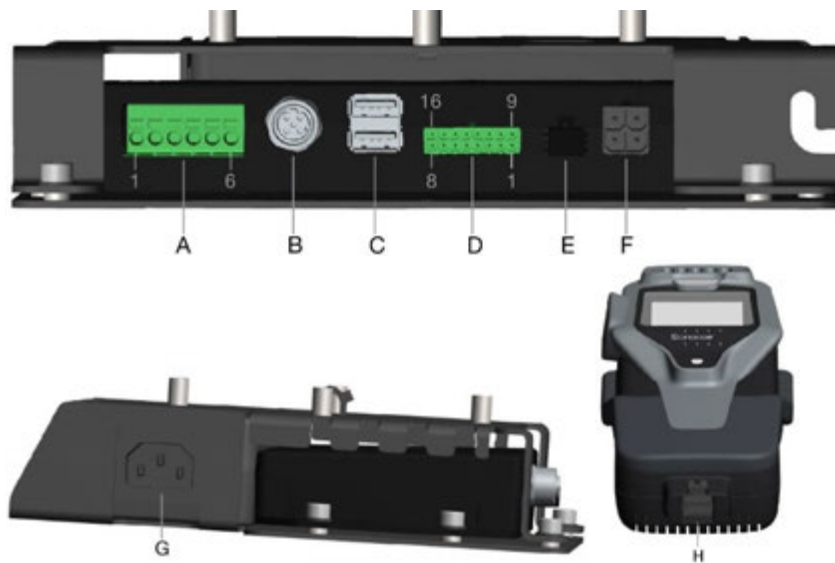


Figure 3: Senseair Workplace connectors

Table 3: Connectors

Connector	Description	Comment															
A	Relay	Peak current: 2 A Max voltage: 24 V Use cable 840-00028 when connecting to the relays.															
	<table border="1"> <thead> <tr> <th>Pin</th> <th>Name</th> <th>Feature</th> </tr> </thead> <tbody> <tr> <td>1</td> <td rowspan="2">Relay 1</td> <td rowspan="2">Closed at negative test</td> </tr> <tr> <td>2</td> </tr> <tr> <td>3</td> <td rowspan="2">Relay 2</td> <td rowspan="2">Closed at negative test</td> </tr> <tr> <td>4</td> </tr> <tr> <td>5</td> <td rowspan="2">Relay 3</td> <td rowspan="2">Closed at positive test</td> </tr> <tr> <td>6</td> </tr> </tbody> </table>		Pin	Name	Feature	1	Relay 1	Closed at negative test	2	3	Relay 2	Closed at negative test	4	5	Relay 3	Closed at positive test	6
	Pin		Name	Feature													
	1		Relay 1	Closed at negative test													
	2																
	3		Relay 2	Closed at negative test													
4																	
5	Relay 3	Closed at positive test															
6																	
B	Ethernet: M12, 4-pin Ethernet.	Only used for Configuration SafeStart Flex.															
C	USB type A	Only used for Configuration SafeStart Flex with identified usage with external RFID reader.															



Connector	Description	Comment									
D	Input	Use cable 840-00028 when connecting to the input.  Pin 2-8 and 10-16 not used.									
	<table border="1"> <thead> <tr> <th>Pin</th> <th>Specification</th> <th>Feature</th> </tr> </thead> <tbody> <tr> <td>1</td> <td>5 V</td> <td>Start test</td> </tr> <tr> <td>9</td> <td>GND, 0 V</td> <td></td> </tr> </tbody> </table>		Pin	Specification	Feature	1	5 V	Start test	9	GND, 0 V	
	Pin		Specification	Feature							
	1		5 V	Start test							
9	GND, 0 V										
E	Sensor connector, box side										
F	Power connector for the built-in power adaptor.										
G	Power connector for the included power cord.										
H	Sensor connector, handset side										

## 5. Calibration free

Non destructive due NDIR technique. All Senseair sensors are calibration-free in normal environments thanks to the built-in self-correcting ABC-algorithm. ABC stands for Automatic Baseline Correction, a Senseair self-calibration function for achieving calibration-free gas sensors. That means that the sensor in Senseair workplace do not require any further calibration when used in normal indoor air applications. The theoretical life length of the Senseair Workplace is approximately 7 years.

No limit on number of tests.

## 6. Related parts

### 6.1. Signal cable

Maximum current 2 A. Maximum voltage 24 V.

Part number: 840-00028

### 6.2. Table stand

Part number: 426-00211



Figure 4: Table stand

### 6.3. Ethernet cable

M12 – RJ45 Ethernet cable, part number: 115-00029

### 6.4. RFID Reader Workplace

RFID reader, part number: 820-00045

The external RFID reader is an optional ad-on to the Senseair Workplace offer.



Figure 5: Senseair Workplace with external RFID reader as an optional add-on

### 6.5. Consumables

Particle filter 32x16 mm, part number: 415-00001

## 7. Related documents

User manual and installation manual are found at [www.senseair.com](http://www.senseair.com) (search: Senseair Workplace).

## IMPORTANT NOTICE

1. Senseair reserves the right to make changes to the information contained in this document without notice. When you consider any use or application of Senseair product stipulated in this document ("Product"), please make inquiries the sales office of Senseair or authorised distributors as to current status of the Products.
2. All information included in this document are provided only to illustrate the operation and application examples of Senseair Products. Senseair neither makes warranties or representations with respect to the accuracy or completeness of the information contained in this document nor grants any license to any intellectual property rights or any other rights of Senseair or any third party with respect to the information in this document. You are fully responsible for use of such information contained in this document in your product design or applications. Senseair ASSUMES NO LIABILITY FOR ANY LOSSES INCURRED BY YOU OR THIRD PARTIES ARISING FROM THE USE OF SUCH INFORMATION IN YOUR PRODUCT DESIGN OR APPLICATIONS.
3. The Product is neither intended nor warranted for use in equipment or systems that require extraordinarily high levels of quality and/or reliability and/or a malfunction or failure of which may cause loss of human life, bodily injury, serious property damage or serious public impact, including but not limited to, equipment used in nuclear facilities, equipment used in the aerospace industry, medical equipment, equipment used for automobiles, trains, ships and other transportation, traffic signaling equipment, equipment used to control combustions or explosions, safety devices, elevators and escalators, devices related to electric power, and equipment used in finance-related fields. Do not use Product for the above use unless specifically agreed by Senseair in writing.
4. Though Senseair works continually to improve the Product's quality and reliability, you are responsible for complying with safety standards and for providing adequate designs and safeguards for your hardware, software and systems which minimise risk and avoid situations in which a malfunction or failure of the Product could cause loss of human life, bodily injury or damage to property, including data loss or corruption.
5. Do not use or otherwise make available the Product or related technology or any information contained in this document for any military purposes, including without limitation, for the design, development, use, stockpiling or manufacturing of nuclear, chemical, or biological weapons or missile technology products (mass destruction weapons). When exporting the Products or related technology or any information contained in this document, you should comply with the applicable export control laws and regulations and follow the procedures required by such laws and regulations. The Products and related technology may not be used for or incorporated into any products or systems whose manufacture, use, or sale is prohibited under any applicable domestic or foreign laws or regulations.
6. Please contact Senseair sales representative for details as to environmental matters such as the RoHS compatibility of the Product. Please use the Product in compliance with all applicable laws and regulations that regulate the inclusion or use of controlled substances, including without limitation, the EU RoHS Directive. Senseair assumes no liability for damages or losses occurring as a result of noncompliance with applicable laws and regulations.
7. Resale of the Product with provisions different from the statement and/or technical features set forth in this document shall immediately void any warranty granted by Senseair for the Product and shall not create or extend in any manner whatsoever, any liability of Senseair.
8. This document may not be reproduced or duplicated, in any form, in whole or in part, without prior written consent of Senseair.

[www.senseair.com](http://www.senseair.com)